

PV STRING INVERTER  
**HSNV**  
**36~50K-G01**



## PERFORMANCE CHARACTERISTICS



### Reliable

- Fanless design, low noise
- Built-in surge arrester & RCD



### Simple

- Plug and play installation
- Smart LED indicators
- Easy commissioning via APP



### Efficient

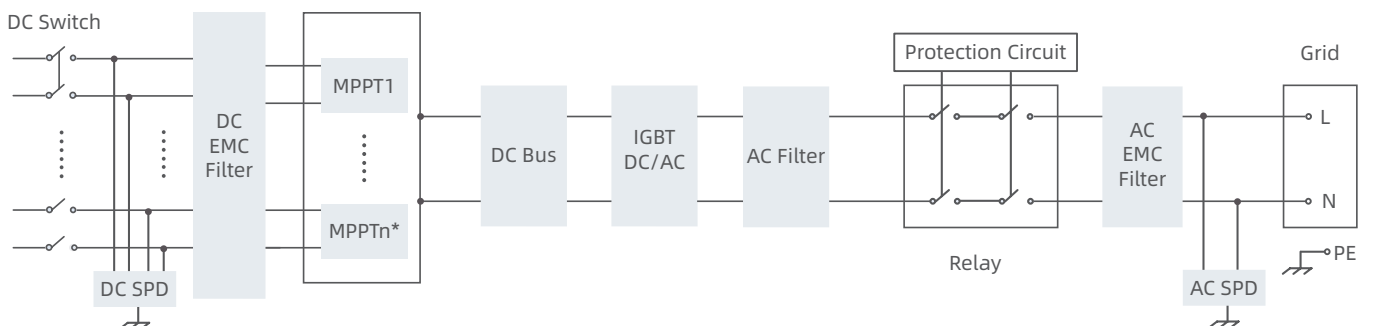
- 20A PV input, perfectly adapt to 210mm panels
- High DC/AC ratio up to 1.5
- 110% AC overloading



### Intelligent

- Remote firmware updates
- Visualization of yield & carbon reduction
- 64 types fault alarms
- String intelligent monitoring

## TOPOLOGICAL GRAPH



Note:

$n^* = 1$ : HSSP3K, HSSP4K;  $n^* = 2$ : HSSP5 ~ 10K.



# TECHNICAL PARAMETERS

Model	HSSP3K-G01	HSSP4K-G01	HSSP5K-G01	HSSP6K-G01	HSSP8K-G01	HSSP10K-G01
<b>DC Input</b>						
Max. Input Voltage	600V					
Starting Voltage	55V					
MPPT Voltage Range	55 ~ 550V					
MPPT Range Full Load	170 ~ 520V	210 ~ 520V	200 ~ 520V	235 ~ 520V	210 ~ 520V	260 ~ 520V
Max. Input Current Per MPPT	20A	22A	20A / 20A		20A / 26A	
Max. Short-circuit Current	30A	33A	30A / 30A		30A / 39A	
Number of DC Inputs	1	2	1/1		1/2	
Number of MPP Trackers	1		2			
<b>AC Output</b>						
Rated Output Power	3kW	4kW	5kW	6kW	8kW	10kW
Max. Output Power	3.3kW	4.4kW	5.5kW	6.6kW	8.8kW	11kW
Rated Output Voltage	220V / 230V (L + N + PE)					
Operating Voltage Range	165 ~ 275V					
Rated Output Current	13.6A	18.2A	22.7A	27.3A	36.4A	45.5A
Max. Output Current	15A	20A	25A	30A	40A	50A
Rated Grid Frequency	50Hz / 60Hz					
Power Factor	>0.99 (0.8 leading ~ 0.8 lagging)					
Harmonic (THD)	<3% (at rated power)					
<b>Efficiency</b>						
Max. Efficiency	97.80%					
European Efficiency	97.00%	97.10%	97.40%		97.20%	
<b>Protection</b>						
Surge Protection	DC type II / AC type III					
Insulation Impedance Detection	Yes					
Residual Leakage Current Detection	Yes					
PV String Fault Detection	Yes					
PV Reverse Polarity Protection	Yes					
Anti-Islanding Protection	Yes					
Output Overcurrent Protection	Yes					
DC Switch	Yes					
Zero Export Function	Yes					
<b>General Parameters</b>						
Dimensions (W*H*D)	425*400*146mm		425*400*167mm		512*438*177mm	
Weight	≤8kg		≤12kg		≤16kg	
Protection Degree	IP66					
Operating Temperature Range	-25 ~ +60°C					
Cooling System	Natural cooling					
Topology	Transformerless					
Operating Altitude	4000m (>3000m derating)					
Display	LED, WLAN + APP					
Communication	Wi-Fi					
DC Connection Type	MC4					
AC Connection Type	Plug-in connector					