

HOPEWIND

POWER CONVERSION SYSTEM

hopePCSHV 2400-3450

TIER 1
BloombergNEF

Hopewind is ranked as
Tier 1 Solar Inverter Maker by BNEF



FEATURES



Efficient

- Three-level topology
- Max. efficiency of 99%
- Power density up to 858 kW/m³, footprint 1.7 m²



Flexible

- Wide voltage range for unstable grid
- Four quadrant operation for full reactive power support
- Supports -1 to 1 power factor adjustment



Grid-friendly

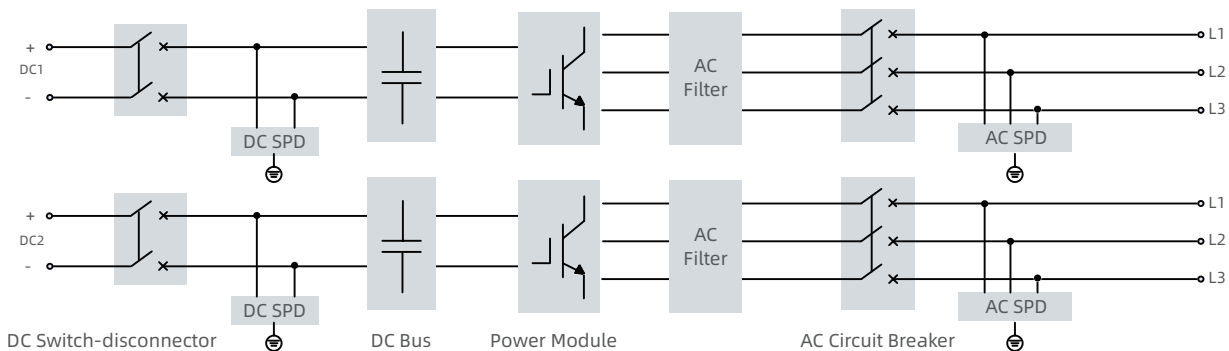
- Supports grid-forming function
- Supports islanding protection
- Equipped with operational modes such as VSG, VF, P-Q



Safe and Reliable

- IP66 high protection level, C5 can be customized
- Supports operation up to 5000 m altitude with no derating at 3000 m
- No derating at 45°C ambient temperature

TOPOLOGICAL GRAPH



PARAMETERS

Model	hopePCSHV 2400	hopePCSHV 2750	hopePCSHV 3150	hopePCSHV 3450
DC Input				
Voltage Range	696~1500 V	800~1500 V	920~1500 V	1000~1500 V
Max. DC Continuous Current	3795 A			
No. of Input	2			
AC Output				
Rated Output Power @45 °C	2400 kW	2750 kW	3150 kW	3450 kW
Max. Output Power @25 °C	2640 kW	3025 kW	3465 kW	3795 kW
Isolation Method	Transformerless			
On-grid Parameters				
Rated Grid Voltage	480 V (3P + PE)	550 V (3P + PE)	630 V (3P + PE)	690 V (3P + PE)
Operating Grid Voltage	480 ±10% V	550 ±10% V	630 ±10% V	690 ±10% V
Operating Grid Frequency	50 Hz / 60 Hz			
Grid Frequency Range	47~53 Hz / 57~63 Hz			
Power Factor	-1 to +1			
THDI	3% (at rated power)			
Charge Discharge Conversion Time	30 ms			
Off-grid Parameters				
Rated Output Voltage	480 V (3P + PE)	550 V (3P + PE)	630 V (3P + PE)	690 V (3P + PE)
THDU	3% (no load or rated resistive load)			
Output Overvoltage Protection Value	Settable			
Output Undervoltage Protection Value	Settable			
Efficiency				
Max. Efficiency	99%			
General Parameters				
Dimensions (W × H × D)	1700 × 2280 × 1000 mm (footprint)			
Weight	2300 kg			
Operating Temperature Range	-40~+55°C(>45°C power derating)			
Operating Relative Humidity Range	0%~100%			
Max. Operating Altitude	5000 m (>3000 m derating)			
Noise Emission (dB)	75 dB			
Anti-corrosion	C4 (standard) / C5 (optional)			
Overvoltage Protection	DC Type II / AC Type II			
Ingress Protection	IP66			
Cooling Method	Smart air cooling			
HMI	Touch screen			
Communication Protocol	Modbus TCP / Modbus RTU / IEC 61850 / IEC 104			
Grid Type	IT			
Certifications	IEC			

