

HOPEWIND

GREEN UTILITY SOLUTION

HSHV320/330/ 350/385K-G01



TIER 1

BloombergNEF

Hopewind is ranked as
Tier 1 Solar Inverter Maker by BNEF

FEATURES



Efficient

- 8 MPPTs with Max. efficiency 99.01%
- Up to 20 A PV input current supports 182 mm & 210 mm bifacial PV modules
- Highly-precise intelligent string detection



Convenient O&M

- Active and reactive power regulation
- Compatible with weak grid situation
- 24/7 continuously monitoring
- Remote firmware upgrade



Reliable

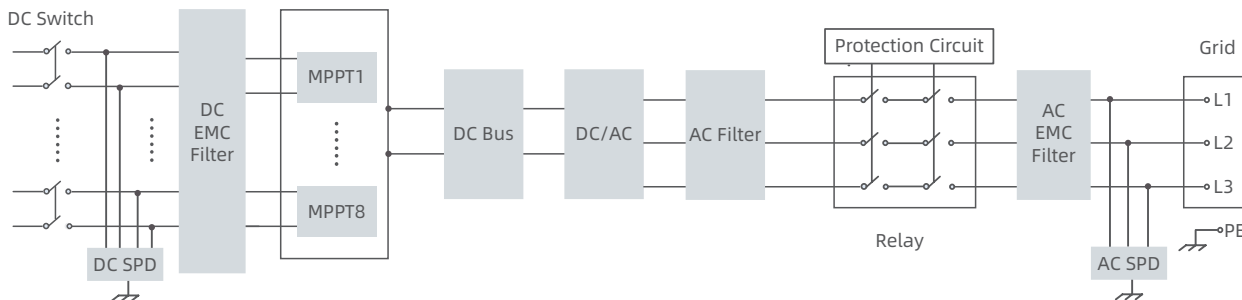
- Built-in SPD modules
- Built-in PID recovery function (optional)
- Compatible in harsh environmental conditions



Economy Friendly

- AC-side Aluminium cable compatibility
- PLC communication
- Night SVG function (optional)

TOPOLOGICAL GRAPH



PARAMETERS

Model	HSHV320K-G01	HSHV330K-G01	HSHV350K-G01	HSHV385K-G01
DC Input				
Max. Input Voltage	1500 V			
Starting Voltage	550 V			
MPPT Voltage Range	500~1500 V			
MPPT Range Full Load	860~1300 V			
Max. Input Current Per MPPT	60 A			
Max. Short-circuit Current	90 A			
Number of DC Inputs	8 × 4			
Number of MPP Trackers	8			
AC Output				
Rated Output Power	320 kW	330 kW	350 kW	385 kW
Max. Output Power	320 kW	330 kW	350 kW	385 kW
Rated Output Voltage	800 V (3P + PE)			
Operating Voltage Range	640~920 V			
Rated Output Current	230.9 A	238.2 A	252.6 A	277.9 A
Max. Output Current	230.9 A	238.2 A	252.6 A	277.9 A
Rated Grid Frequency	50 Hz / 60 Hz			
Power Factor	>0.99 (0.8 leading~0.8 lagging)			
Harmonic (THD)	<3% (at rated power)			
Efficiency				
Max. Efficiency	99.01%			
European Efficiency	98.70%			
Protection				
Surge Protection	DC type II / AC type II			
Insulation Impedance Detection	Yes			
Residual Leakage Current Detection	Yes			
PV String Fault Detection	Yes			
PV Reverse Polarity Protection	Yes			
Anti-Islanding Protection	Yes			
Output Overcurrent Protection	Yes			
DC Switch	Yes			
PID Recovery	Optional			
Night SVG Function	Optional			
General Parameters				
Dimensions (W × H × D)	1100 × 868 × 418 mm			
Weight	≤142 kg			
Protection Degree	IP66			
Operating Temperature Range	-25~+60°C			
Cooling System	Smart air cooling			
Standby Power Consumption	<20 W			
Topology	Transformerless			
Operating Altitude	4000 m (>3000 m derating)			4000 m (>2000 m derating)
Display	LED indicator, Wi-Fi / APP			
Communication	RS485 / PLC			
DC Connection Type	MC4			
AC Connection Type	OT / DT terminal (≤ 400 mm ²)			
Standard Compliance (More Available Upon Request)				
Certification	IEC 62109, IEC 61000, IEC 61727, IEC 62116, IEC 60068, IEC 61683, IEC 62910, EN 50549-1, EN 50549-2, CEA, MEA (385K-G01), PEA (385K-G01)			

