

HOPEWIND

GREEN C&I SOLUTION

HSNV60K/75K/ 100K/110K-G02



TIER 1
BloombergNEF
Hopewind is ranked as
Tier 1 Solar Inverter Maker by BNEF

FEATURES



Efficient

- 4 MPPTs with Max. efficiency of 98.60%
- 110% AC overloading
- Up to 20 A of MPPT current input to support 210 mm & bifacial PV modules



User Friendly

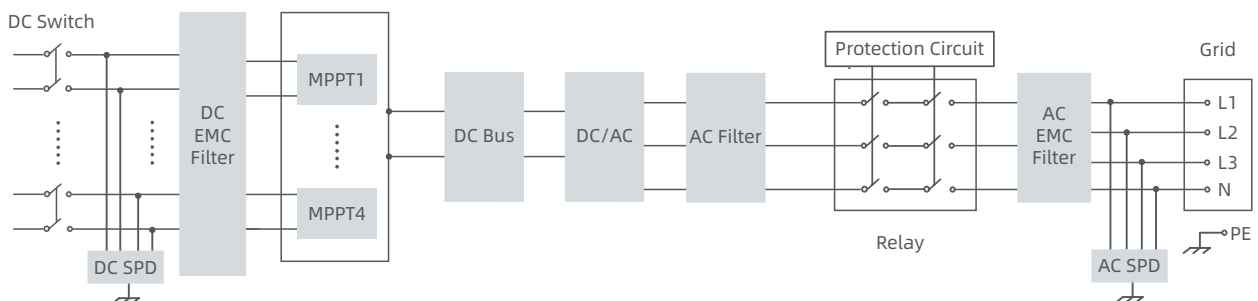
- Built-in zero export function interface
- Supports country grid code preset
- 24/7 monitoring & remote firmware upgrade
- Near-end commissioning via APP



Reliable

- High precisely & intelligent string detection
- Built-in SPD for surge protection & AFCI function
- Wide MPPT voltage range for unstable grid
- Built-in PID recovery module (optional)

TOPOLOGICAL GRAPH



PARAMETERS

Model	HSNV60K-G02	HSNV75K-G02	HSNV100K-G02	HSNV110K-G02
DC Input				
Max. Input Voltage	1100 V			
Starting Voltage	180 V			
MPPT Voltage Range	200~1000 V			
Max. Input Current Per MPPT	45 A / 45 A / 45 A / 45 A		65 A / 65 A / 65 A / 65 A	
Max. Short-circuit Current	60 A / 60 A / 60 A / 60 A		100 A / 100 A / 100 A / 100 A	
Number of DC Inputs	3 / 3 / 3 / 3	4 / 3 / 3 / 4	5 / 5 / 5 / 5	
Number of MPP Trackers	4			
AC Output				
Rated Output Power	60 kW	75 kW	100 kW	110 kW
Max. Output Power	66 kW	82.5 kW	110 kW	121 kW
Rated Output Voltage	230 V / 400 V (3P + N + PE)			
Operating Voltage Range	300~520 V			
Rated Output Current	86.6 A	108.3 A	144.3 A	158.8 A
Max. Output Current	95.3 A	119.1 A	158.8 A	174.7 A
Rated Grid Frequency	50 Hz / 60 Hz			
Power Factor	>0.99 (0.8 leading~0.8 lagging)			
Harmonic (THDi)	<3% (at rated power)			
Efficiency				
Max. Efficiency	98.50%		98.60%	
European Efficiency	98.20%		98.30%	
Protection				
PV Reverse Polarity Protection	Yes			
Insulation Impedance Detection	Yes			
Residual Leakage Current Detection	Yes			
Output Overcurrent Protection	Yes			
Anti-Islanding Protection	Yes			
DC Surge Protection	Type II or Type I+II			
AC Surge Protection	Type II			
I/V Curve Scanning	Optional			
Zero Export Function	Yes			
PV String Monitoring	Yes			
Arc Fault Circuit Interrupter (AFCI)	Optional			
PID Recovery	Optional			
DC Switch	Yes			
General Parameters				
Dimensions (W × H × D)	705 × 650 × 285 mm		800 × 690 × 330 mm	
Weight	≤80 kg		≤94 kg	
Ingress Protection	IP65			
Operating Temperature Range	-40~+60°C			
Cooling System	Smart air cooling			
Anti-corrosion	C5 (optional)			
Topology	Transformerless			
Operating Altitude	4000 m (>3000 m derating)			
Display	LED, WLAN + APP			
Communication	RS485 / Wi-Fi, PLC (optional)			
DC Connection Type	MC4			
AC Connection Type	OT / DT terminal (≤240 mm ²)			
Standard Compliance (More Available Upon Request)				
Certification	IEC 62109, IEC 61000, IEC 61727, IEC 62116, IEC 60068, IEC 61683, EN 50549-1, EN 50549-2, VDE 4105, VDE 4110, VDE 4120			

