

HOPEWIND

POWER CONVERSION SYSTEM

ESHV 186-250K -A-G01

TIER 1
BloombergNEF

Hopewind is ranked as
Tier 1 Solar Inverter Maker by BNEF



FEATURES



Modular Design

- High maintainability, reduced MTTR
- Single battery rack management, avoid single point of failure
- Compatible with a mix of new and old batteries, extending system lifetime



Grid Friendly

- Coordinated control for grid friendly and load friendly
- Grid-forming technology, grid support as the core feature
- Complete communication method, support RS485, Ethernet, CAN



High Efficiency

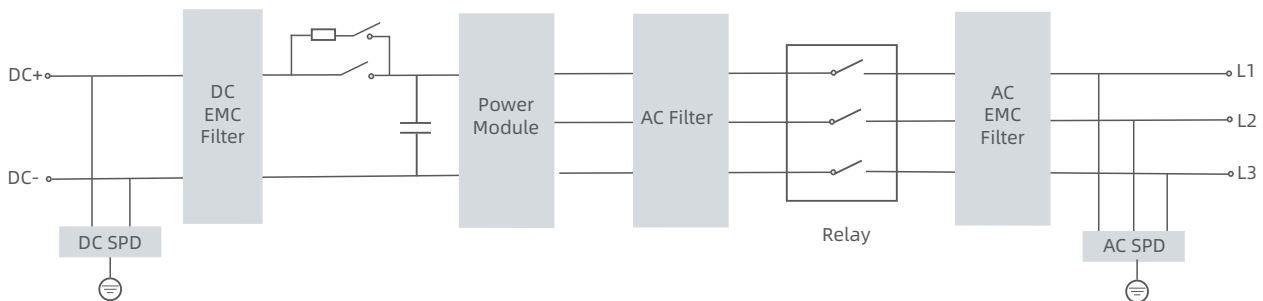
- Max. efficiency of 99%
- Pure and stable sine wave output
- Power factor ranges from -1 to 1



Reliable & Safety

- IP66 protection class
- Tailored anti-corrosion solutions for reliability
- No derating at 45 °C, 3000m altitude

TOPOLOGICAL GRAPH



PARAMETERS

Rated Power		186kW	215kW	250kW
DC Input	DC Voltage Range	1000 V~1500 V		
	Max. DC Current	209 A	241 A	281 A
AC Output	Rated Power	186 kW	215 kW	250 kW
	Max. Output Power	205 kVA	237 kVA	275 kVA
	Reactive Range	0~195 kvar	0~226 kvar	0~263 kvar
	AC Connection	3W+PE		
	Isolation	No-Isolation		
On-Grid	Rated Grid Voltage	690 V		
	Voltage Range	586 V~759 V		
	Rated Grid Frequency	50 Hz		
	Frequency Range	45 Hz~55 Hz		
	THD	<3% (At rated power)		
	Power Factor	-1~1		
	Charge-Discharge Time	<20 ms		
Off-Grid	Rated Output Voltage	690 V		
	Voltage Imbalance	<2%, No more than 4% in a short period of time		
	HDU	<3% (No load or rated resistive load)		
	Voltage Transient Range	<10% (Resistive load/balanced load. Load change suddenly from 20% to 100% or from 100% to 20%)		
	Overvoltage Protection	Settable value		
	Undervoltage Protection	Settable value		
General Data	Ground System	IT		
	Max. Efficiency	99%		
	Ambient Temperature	-40°C~+60°C (Derating above 45°C)		
	Humidity Range	0~100%		
	Altitude	<5000 m (Derating above 3000 m)		
	Noise	75 dB		
	DI Port	4 paris		
	DO Port	2 paris		
	Corrosion	C3 (C4 / C5 is optional)		
	Surge Protection	DC Type II / AC Type III		
	Wiring Method	Bottom in and bottom out (Quick plug terminal)		
	Protection Degree	IP66		
	Cooling Method	Smart air-cooling		
	Indicator	LED indicator		
	Communication	Ethernet, RS485, CAN, local debugging WiFi (Optional)		
	Communication Protocol	Modbus TCP / RTU		
	Dimensions (W × H × D)	795 × 875 × 293.5 mm (Excludes hanging board)		
Weight	≤100kg (Net weight)			
Certification	CQC, HVRT / LVRT, IEC61000, IEC62477, EN50549			

