

String PCS Station

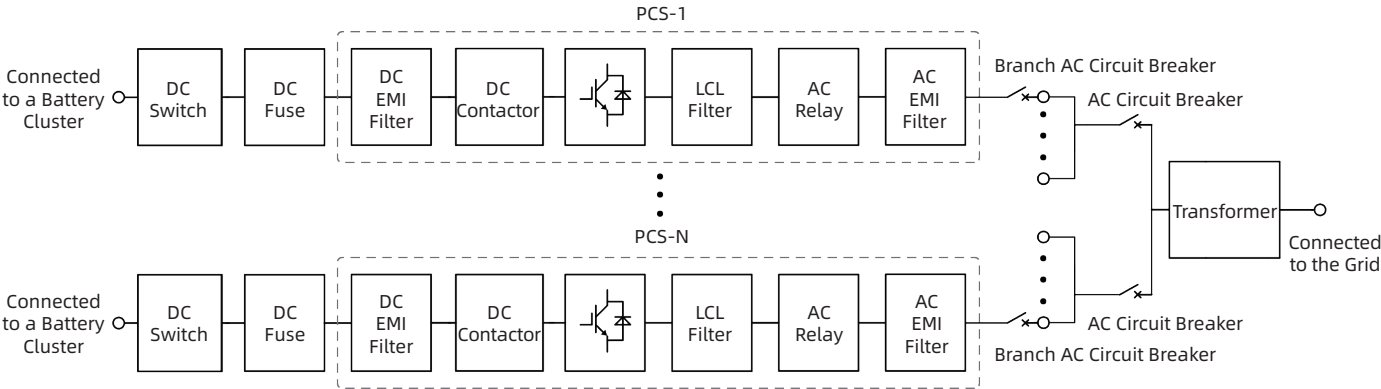
HPPS Series



FEATURES

- Single cluster management for batteries to address the issue of circulating current in parallel connections
- Modular design to prevent single point of failure
- Use of the three-level technology to achieve a maximum efficiency of 99%
- Strong environmental adaptability with C3~C5 corrosion protection available, and no derating at 45°C ambient temperature
- Optional number of PCS modules at 6~35kV with all-in-one machine customizable
- Multiple operation modes supported such as PQ and VSG

TOPOLOGY DIAGRAM



PARAMETERS

Model		HPPS 2500B	HPPS 1750C	HPPS 2500C	HPPS 3500C
DC Parameters	Number of DC Input Channels	12	1	1	2
	Max. DC Current	209A*12	1962A	2810A	3934A
	DC Voltage Operating Range	1000V~1500V			
AC Parameters	Total Rated Power	2500kW	1750kW	2500kW	3500kW
	Max. Output Power	2750kVA	1925kVA	2750kVA	3850kVA
	Rated Voltage	690Vac			
	Isolation Mode	Transformer Isolation			
	Q Range	0~2625kvar	0~1837kvar	0~2625kvar	0~3675kVar
On-Grid Mode	Rated Grid Voltage	6~35kV (Customizable)			
	Rated Grid Frequency	50Hz / 60Hz			
	THD	<3%			
	Power Factor	-1~1			
Transformer Parameters	Rated Capacity	2500kVA	1750kVA	2500kVA	3500kVA
	Transformer Type	Oil-immersed Transformer			
	LV/MV Voltage	0.69 / (6~35)kV			
System Parameters	Dimensions (W*H*D)	6058*2438*2896mm			
	Operation Temperature	-40°C~+60°C (Derating above 45°C)			
	Operation Humidity	0~100%			
	Operating Altitude	≤5000m (No derating within 3000m)			
	IP Rating	IP54 (PCS IP66)			
	BMS Communication	RS485 / CAN			
	EMS Communication	Ethernet Interface			
	Communication Protocol	Modbus RTU / Modbus TCP / IEC104 / IEC61850			
	Standard Compliance	GB/T 34120, IEC62477, IEC61000, EN50549			
Grid Support	CEPRI HLVRT, Frequency adjustment function, Voltage adjustment function, Inertia response, Etc.				

*Please refer to the latest physical product for any changes in specifications.

*The table only lists some models. Products can be customized for projects.